

HELLE

Xonyx™ solid surface freestanding bath

MATERIAL: Solid surface

SHAPE: Ellipse

INSTALLATION: Freestanding

COLOR OPTIONS:

- 1) Standard white (white interior / white exterior)
 - 2) Bi-colored (white interior / colored* exterior)
- *According to RAL Classic color pallet



WASTE: Click-clack stopper, solid surface coated cap, white

DRAIN: Direct drain tee (PVC, Schedule 40). Extension pipe (1½") required

OVERFLOW: Integrated

FILLER OPTIONS: Wall-mount, floor-mount

EXTERIOR DIMENSIONS (LxWxH): 66.75" x 33.25" x 24.50"

PRODUCT WEIGHT: 200 lb

WATER CAPACITY: 75 gal

PACKAGE: On a pallet in plywood crate

PACKAGE DIMENSIONS (LxWxH): 76" x 38.5" x 35"

ORIGIN: European

STANDARDS: CSA B45.5-22/IAPMO Z124-2022



PRODUCT INCLUDES:

- › Bathtub with integrated overflow and waste
- › Support frame with adjustable feet

SKU: BUSAHELLE (Standard white)

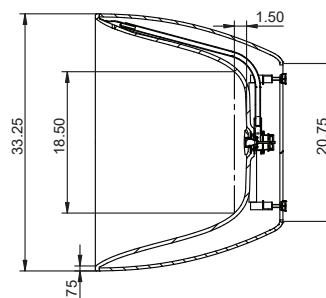
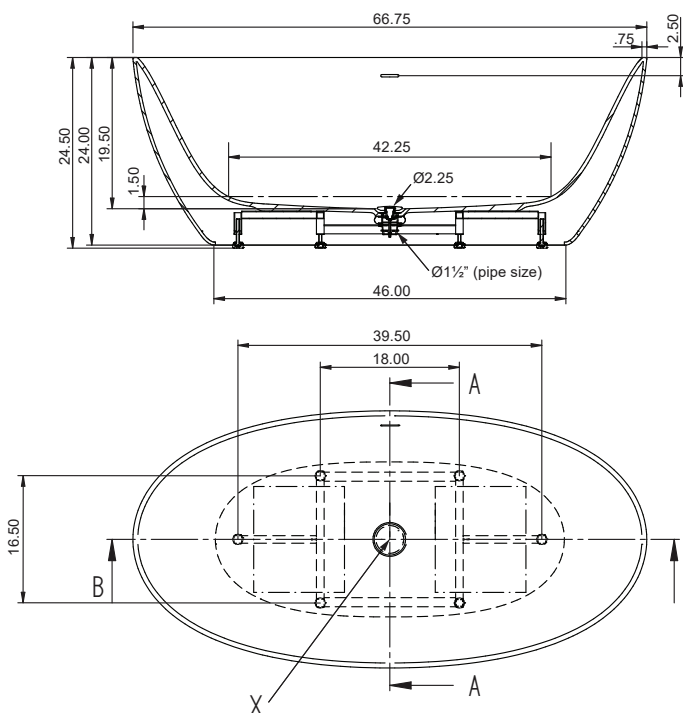


WHAT IS XONYX?

- › Unique solid surface polymer composite material created by Balteco R&D
- › Mixture of ATH (Aluminium Tri-hydrate), polyester resin with acrylic compounds and carefully selected additives
- › Material with superior structural strength and scratch resistant hard surface.

MATERIAL BENEFITS:

- › Novel Silky Smooth surface
- › Extra durable monolith
- › Scratch resistant hard surface
- › 100 % homogeneous material
- › Bacteria resistant
- › Superior cleaning properties
- › Calm white
- › Seamless bonding
- › Renewable and repairable



Product measure tolerances ±½". Frame location tolerance according to X ±1"