

# KAJA 61

Xonyx™ solid surface freestanding bath

**MATERIAL:** Solid surface

**SHAPE:** Oval

**INSTALLATION:** Freestanding

**COLOR OPTIONS:**

- 1) Standard white (white interior / white exterior)
  - 2) Bi-colored (white interior / colored\* exterior)
- \*According to RAL Classic color pallet



**WASTE:** Click-clack stopper, solid surface coated cap, white

**DRAIN:** Direct drain tee (PVC, Schedule 40). Extension pipe (1½") required

**OVERFLOW:** Integrated

**FILLER OPTIONS:** Wall-mount, floor-mount

**EXTERIOR DIMENSIONS (LxWxH):** 61.25" x 28" x 25.75"

**PRODUCT WEIGHT:** 220 lb

**WATER CAPACITY:** 65 gal

**PACKAGE:** On a pallet in plywood crate

**PACKAGE DIMENSIONS (LxWxH):** 76" x 38.5" x 35"

**ORIGIN:** European

**STANDARDS:** CSA B45.5-22/IAPMO Z124-2022



**PRODUCT INCLUDES:**

- › Bathtub with integrated overflow and waste
- › Support frame with adjustable feet

**SKU:** BUSAKAJA61 (Standard white)

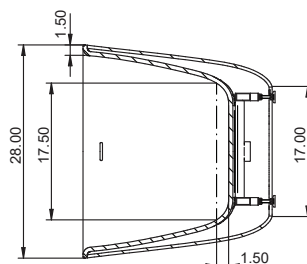
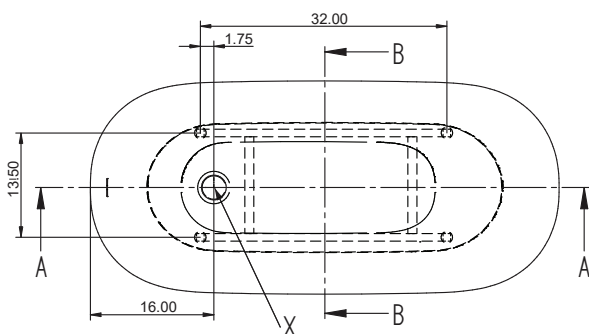
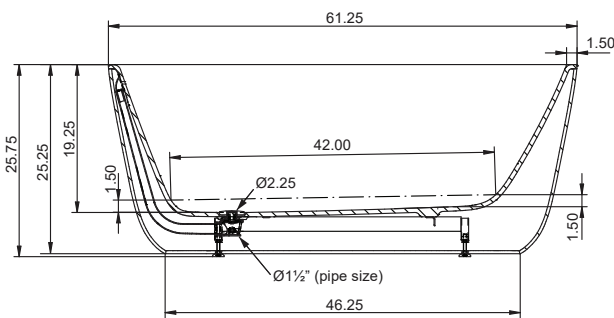


**WHAT IS XONYX?**

- › Unique solid surface polymer composite material created by Balteco R&D
- › Mixture of ATH (Aluminium Tri-hydrate), polyester resin with acrylic compounds and carefully selected additives
- › Material with superior structural strength and scratch resistant hard surface.

**MATERIAL BENEFITS:**

- › Novel Silky Smooth surface
- › Extra durable monolith
- › Scratch resistant hard surface
- › 100 % homogeneous material
- › Bacteria resistant
- › Superior cleaning properties
- › Calm white
- › Seamless bonding
- › Renewable and repairable



Product measure tolerances ±½". Frame location tolerance according to X ±1"